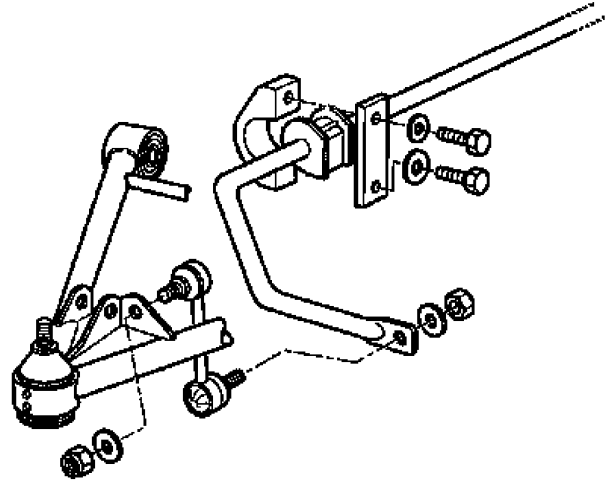


Stabiliser Bar

The stabiliser bar pivots in two bushes, which are clamped to the chassis unit. The ends of the stabiliser bar are connected through links to the lower wishbone.



T 8935